

Important:

These catalog pages should be used for product reference only.

**The pricing in this publication reflects the current pricing at the time of printing
(02/11).**

**For current pricing please contact your W.H. Milikowski
sales representative or your local Customer Service Center.**



GREEN BREEZE HAF FANS



J & D Manufacturing's design allows for more air flow and a consistent air pattern. This maximizes heat distribution and humidity control by mixing the air, from ceiling to floor - under, over and around your plants.

The guard spacing on this fan reduces air restriction by 50% over conventional basket fans. The spacing is far enough so the dirt will not bridge the spacing gap on the wire grill, which leads to reduced performance and premature motor failure.



Model #	Size	CFM	HP	Volts	Amps	Speed	Price
VBG12	12"	2,600	1/10	115/230	.9/1.45	S/Var	\$ 153.35
VBG20	20"	6,000	1/3	115/230	3.2/1.6	S/Var	\$ 208.35
VBG24	24"	8,500	1/2	115/230	4.0/2.0	S/Var	\$ 248.35

Fans are Direct Drive and include a U-Bolt and Nuts with standard brackets.

TYPHOON EXHAUST FANS

Features: hot dipped galvanized, after welding, 1" x 2" removable, wire mesh guards, quiet operation, cost efficient, heavy duty 18 gauge, galvanized, housing construction.

Additional Styles and Models Are Available

Call Your Sales Representative or Your Local Customer Service Office for More Details



Typhoon Exhaust Fans are Dropship Items

FOB Wisconsin

Model #	Size	CFM	HP	Volts	Amps	Phs	Spds	Drive	Blade	Price
VNS24S850	24"	5,600	1/2	115/230	7.0/3.5	1	1	DD	3-Alum	\$ 424.00
VNS30S850	30"	7,300	1/2	115/230	7.0/3.5	1	1	DD	3-Alum	\$ 450.00
VNS36D	36"	10,300	1/2	115/230	7.0/3.5	1	1	DD	3-Galv	\$ 535.60
VNS36D3	36"	10,200	1/2	230/460	2.4/1.2	3	1	DD	3-Galv	\$ 549.90
VNS36S	36"	9,700	1/2	115/230	6.6/3.3	1	1	BD	4-Galv	\$ 664.20
VNS36S1	36"	9,800	1	115/230	9.6/4.8	1	1	BD	4-Galv	\$ 692.75
VNS36S3	36"	9,700	1/2	230/460	2.8/1.4	3	1	BD	4-Galv	\$ 678.45
VNS36S13	36"	11,400	1	230/460	2.8/1.4	3	1	BD	4-Galv	\$ 692.75
VNS42S	42"	18,000	1	115/230	9.6/4.8	1	1	BD	3-Galv	\$ 695.00
VNS42S2	42"	18,000/12,700	1	230	9.6/4.8	1	2	BD	3-Galv	\$ 849.20
VNS48S	48"	19,500	1	115/230	9.6/4.8	1	1	BD	3-Galv	\$ 854.10
VNS48S2	48"	19,500/12,800	1	230	5.3/3.0	1	2	BD	3-Galv	\$ 892.70
VNS48S3	48"	19,300	1	230/460	2.8/1.4	3	1	BD	3-Galv	\$ 935.50
VNS50S	50"	21,200	1	115/230	9.6/4.8	1	1	BD	3-Galv	\$ 909.80
VNS50S2	50"	21,100/14,000	1	115/230	9.6/4.6	1	2	BD	3-Galv	\$ 885.60
VNS50S3	50"	21,400	1	230/460	3.0/1.5	3	1	BD	3-Galv	\$ 885.60



- ◆ Variable Speed Motor
- ◆ Epoxy Coated Guards
- ◆ Sealed Bearings
- ◆ Aluminum Blades
- ◆ Quiet Operation

20" EZ-BREEZE BASKET FAN

*High Output Performance ~
High Efficiency Air Circulator*

Model #	Size	CFM	HP	Volts	Price
VDB20G	20"	2,250	1/10	115/230	\$ 146.65
VRSBR5	Standard L-Bracket				\$ 15.00

Direct Drive, includes a U-Bolt and Nuts with Standard Bracket

SHUTTER MOTOR KITS

Single Panel & Double Panel

Model #	Description	Cord	Volt	Price
VRS1260	Kit fits 12"-60" Shutters	N/A	115/230	\$ 82.50
VRS1260C	Kit fits 12"-60" Shutters	9'	115	\$ 110.85
VRSM10	Motor Only for 12"-60"	N/A	115/230	\$ 78.35
VRSM10C	Motor Only for 12"-60"	9'	115	\$ 106.65



- ◆ Comes complete with attachment chains, link arms and spring
- ◆ Rugged, heavy duty motors
- ◆ Dual Voltage, 115/230V



12" - 24" SHUTTER FANS



- ◆ 4 sizes, 8 models to choose from, for any application
- ◆ Corrosion resistant guards
- ◆ Strong, durable, aluminum shutter
- ◆ Use the dependable VC115 thermostat to operate both the fan and the intake shutter

Shutter Fans are Dropship Items FOB Wisconsin

Model #	Size	CFM	HP	RPM	Volts	Amps	Rough Opening	Price
VES12	12"	1,050/300	1/10	1,725	115/230	1.0/.5	12.5" x 12.5"	\$ 134.35
VES161	16"	2,000/525	1/10	1,725	115/230	1.0/.5	16.5" x 16.5"	\$ 146.55
VES201	20"	2,750/730	1/10	1,725	115/230	1.0/.5	20.5" x 20.5"	\$ 170.00
VES20	20"	4,300/1,250	1/3	1,725	115/230	3.0/1.5	20.5" x 20.5"	\$ 181.25
VES24	24"	6,125/1,650	1/2	1,725	115/230	4.8/2.4	24.5" x 24.5"	\$ 203.75

ALUMINUM INTAKE SHUTTERS

Single Panel & Double Panel



- ◆ Aluminum, powered intake shutters or free-air exhaust
- ◆ Nylon bearings; solid shafts; drawn cup-type sleeves on all moveable linkage
- ◆ Frame is heavy aluminum extrusions with 1/2" channel lock water stop and precision milled corners
- ◆ Interlocking blades for maximum weather seal
- ◆ Double Panel units are constructed with rigid "T" section center member

Model #	Description	Price
VRSG12A	12" x 12" Single Panel Shutter	\$ 35.00
VRSG16A	16" x 16" Single Panel Shutter	\$ 56.65
VRSG20A	20" x 20" Single Panel Shutter	\$ 75.00
VRSG24A	24" x 24" Single Panel Shutter	\$ 80.00
VRSG30A	30" x 30" Single Panel Shutter	\$ 110.00
VRSG36A	36" x 36" Double Panel Shutter	\$ 120.00
VRSG40A	40" x 40" Double Panel Shutter	\$ 151.65
VRSG42A	42" x 42" Double Panel Shutter	\$ 173.35
VRSG48A	48" x 48" Double Panel Shutter	\$ 191.65
VRSG54A	54" x 54" Double Panel Shutter	\$ 208.35
VRSG60A	60" x 60" Double Panel Shutter	\$ 270.00

THERMOSTATS

These rugged, moisture proof thermostats are intended for applications that require a reliable, weather-proof type control.

Model #	Description	Price
VC115	Single Stage, J & D Mfg. Thermostat	\$ 55.00
VC109	Two Speed, J & D Mfg. Thermostat	\$ 163.35



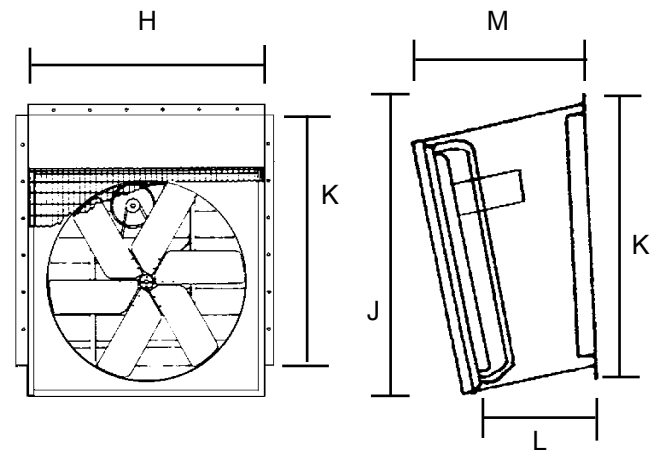
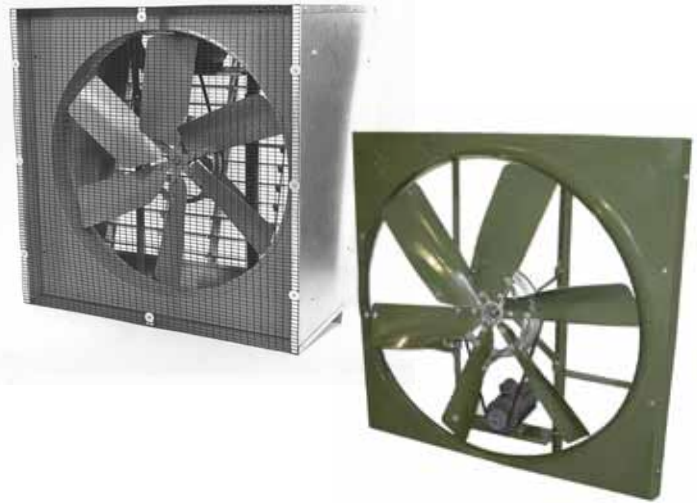
VC115

MNBF FANS

MNBF Fans are Dropship Items **FOB Florida**



WHM #	Blade Dia.	115 V HP	Spd.	RPM	CFM	Price
MNBF24G	24"	1/4	1	627	5100	\$ 577.10
MNBF24G2S	24"	1/4	2	627	5100	\$ 618.40
MNBF24H	24"	1/3	1	706	5800	\$ 577.10
MNBF24H2S	24"	1/3	2	706	5800	\$ 618.40
MNBF24J	24"	1/2	1	815	6760	\$ 616.25
MNBF24J2S	24"	1/2	2	815	6760	\$ 618.40
MNBF24K	24"	3/4	1	972	8140	\$ 613.35
MNBF24K2S	24"	3/4	2	972	8140	\$ 642.35
MNBF30G	30"	1/4	1	486	7100	\$ 630.75
MNBF30G2S	30"	1/4	2	486	7100	\$ 672.10
MNBF30H	30"	1/3	1	533	7890	\$ 630.75
MNBF30H2S	30"	1/3	2	533	7890	\$ 672.10
MNBF30J	30"	1/2	1	627	9430	\$ 669.90
MNBF30J2S	30"	1/2	2	627	9430	\$ 672.10
MNBF30K	30"	3/4	1	706	10725	\$ 667.00
MNBF30K2S	30"	3/4	2	706	10715	\$ 696.00
MNBF36H	36"	1/3	1	419	9840	\$ 692.40
MNBF36H2S	36"	1/3	2	419	9840	\$ 733.70
MNBF36J	36"	1/2	1	474	11325	\$ 731.50
MNBF36J2S	36"	1/2	2	474	11325	\$ 733.70
MNBF36K	36"	3/4	1	541	13105	\$ 728.60
MNBF36K2S	36"	3/4	2	541	13105	\$ 757.60
MNBF36L	36"	1	1	609	14895	\$ 734.40
MNBF42J	42"	1/2	1	365	13070	\$ 847.50
MNBF42J2S	42"	1/2	2	365	13070	\$ 849.70
MNBF42K	42"	3/4	1	433	15865	\$ 844.60
MNBF42K2S	42"	3/4	2	433	15865	\$ 873.60
MNBF42L	42"	1	1	474	17515	\$ 850.40
MNBF48J	48"	1/2	1	303	16250	\$ 963.50
MNBF48J2S	48"	1/2	2	303	16250	\$ 965.70
MNBF48K	48"	3/4	1	350	19240	\$ 960.60
MNBF48K2S	48"	3/4	2	350	19240	\$ 989.60
MNBF48L	48"	1	1	373	20665	\$ 966.40
MNBFA54L	54"	1	1	350	23060	\$ 1115.75
MNBFA54M	54"	1.5	1	414	27780	\$ 1202.00



Dimension Chart for MNBF Fans

Model	Size	H	J	K	L	M
MNBF24	24"	32-3/8"	38-1/16"	32-3/8"	22-15/16"	27-15/16"
MNBF30	30"	38-3/8"	43-15/16"	38-1/2"	22"	27-15/16"
MNBF36	36"	44-3/8"	50"	44-9/16"	21-13/16"	28-11/16"
MNBF42	42"	50-3/8"	55-7/8"	50-5/8"	20-1/2"	28-11/16"
MNBF48	48"	56-3/8"	62-1/16"	56-11/16"	21-1/16"	29-7/8"
MNBF54	54"	62-3/8"	68-3/16"	62-3/4"	21-1/2"	31-3/16"

- Available with single or two speed enclosed motors
- Rugged V-belt driven construction
- Permanently lubricated ball bearings
- Fully assembled
- Available with or without wall housing
- Square box wall housing also available

Because of the many fan and motor combinations available, please call our Structures Department for ordering and pricing information @ 1-800-243-7170

Type SWH (SLOPE) Wall Housing

The SLOPE wall housing allows the shutter to be placed on the intake side of the fan and eliminates air turbulence that occurs with the shutter on the down-wind side of the fan. It prevents the warm air from being lost through the metal wall housing to the outside cold air in cold climate operation. The SLOPE wall housing is constructed of galvanized steel for long, durable wear and low maintenance.

MOTORIZED INLET SHUTTERS



VENTILATION

Motorized Inlet Shutters are Dropship Items

FOB Florida

Model #	Description	Price
LRW16E	16" x 16" Aluminum single panel shutter w/motor	\$ 123.25
LRW21E	21" x 21" Aluminum single panel shutter w/motor	\$ 127.60
LRW33E	33" x 33" Aluminum single panel shutter w/motor	\$ 159.00
LRW39E	39" x 39" Aluminum double panel shutter w/motor	\$ 188.00
LRW45E	45" x 45" Aluminum double panel shutter w/motor	\$ 220.00
LRW51E	51" x 51" Aluminum single panel shutter w/motor	\$ 240.70
LRW57E	57" x 57" Aluminum single panel shutter w/motor	\$ 267.40
LRW4515E	45" x 15" Aluminum single panel shutter w/motor	\$ 221.10
LRW4527E	45" x 27" Aluminum single panel shutter w/motor	\$ 257.40
LRW6024E	60" x 24" Aluminum single panel shutter w/motor	\$ 309.60
LRW6036E	60" x 36" Aluminum single panel shutter w/motor	\$ 321.15
1420-LRW	115V Motor kit for single panel shutter	\$ 99.00
1420-LRW2	115V Motor kit for double panel shutter	\$ 99.00

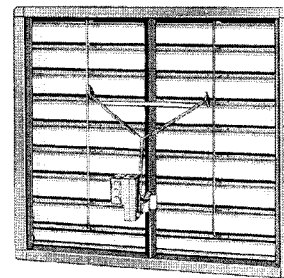


Model LRW33

- Fully automatic
- Specify 115V or 230V motor
- Aluminum reinforced brackets and nylon bearings on all moveable linkage
- Designed for use on opposite side of building from fan
- Sturdy aluminum frame and blades



WHM #	Description	Price
3C308	24" Aluminum single panel wall shutter	\$ 107.50
3C309	30" Aluminum single panel wall shutter	\$ 131.90
3C310	36" Aluminum single panel wall shutter	\$ 170.50
3C311	42" Aluminum double panel wall shutter	\$ 288.00
3C312	48" Aluminum double panel wall shutter	\$ 330.90
2C831	115V Motor kit for single panel wall shutter	\$ 142.00
2C832	115V Motor kit for double panel wall shutter	\$ 185.00
1UHH2	Single stage thermostat, 120 or 240V, 30°-100°	\$ 38.40
1UHH3	2-stage thermostat, cooling &/or heating, 120 or 240V, 30°-110°	\$ 105.00



1UHH3

- Aluminum vanes have white polyester enamel finish and stainless steel rivets
- 16 gauge extruded aluminum frame, 3" deep with a 1.5" flange

SCHAEFER HORIZONTAL AIR FLOW

• Quiet • Gentle • Efficient



ST115



SM1530

STH109



WHM #	Description	Info	Price
ST12PA	12" Plant-Air® circulation fan	1649 ccfm	\$ 158.00
ST20PA	20" Plant-Air® circulation fan	5418 ccfm	\$ 224.00
SH115	Manual variable speed control	115VAC/5amp	\$ 75.20
ST115	Thermostat, heating or cooling SPDT switch, 40° - 110°F	120V/16amp	\$ 68.75
STH109	Thermostat, 2-stage heating or cooling, 2-speed cooling	120V/16amp	\$ 137.50
SM1530	Schaefer single or double panel shutter motor kit	115/230V	\$ 127.40

Published Pricing is Subject to Change Without Notice.