

# **Important:**

**These catalog pages should be used for product reference only.**

**The pricing in this publication reflects the current pricing at the time of printing  
(02/11).**

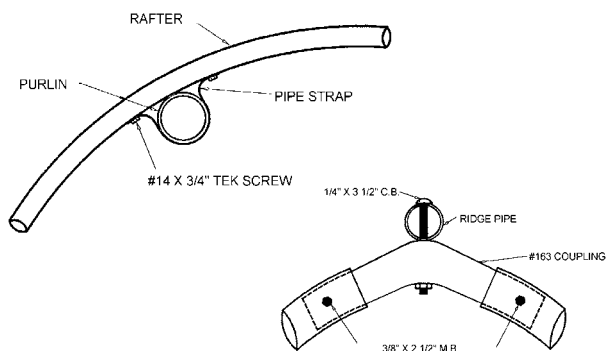
**For current pricing please contact your W.H. Milikowski  
sales representative or your local Customer Service Center.**



Size	Pipe O.D.	Wall Thickness	Height 1' from side	Height 2' from side	Height 3' from side	Height 4' from side	Ridge Height	Poly Width
17'	1.660"	.083"	4'8"	5'9"	6'5"	6'11"	10'3"	28'
21'	1.660"	.083"	4'10"	5'11"	6'7"	7'2"	10'11"	36'
25'	1.660"	.083"	5'0"	6'0"	6'9"	7'4"	12'3"	40'
25'	1.900"	.095"	5'0"	6'0"	6'9"	7'4"	12'3"	40'
28'	1.900"	.095"	4'9"	5'8"	6'4"	6'11"	12'1"	44'
30'	1.900"	.095"	4'6"	5'6"	6'3"	6'9"	12'3"	44'
34'	1.900"	.095"	4'4"	5'5"	6'2"	6'7"	12'10"	48'

\* All measurements are with standard posts 1' out of the ground.

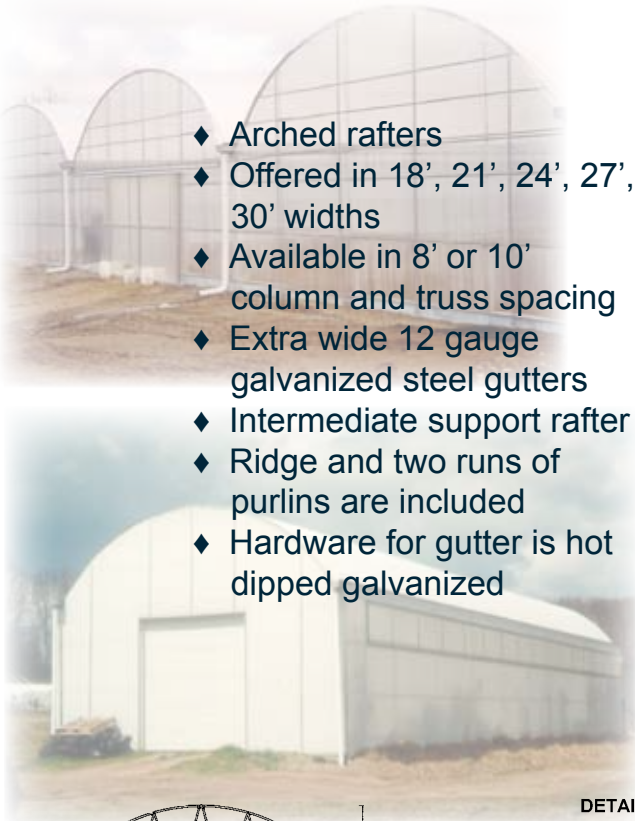
- ◆ 1.660" O.D. 14 gauge Galvanized Pipe, .083" wall thickness, both rafters and posts, on the 25' model only.
- ◆ 1.900" O.D. 13 gauge Galvanized Pipe, .095" wall thickness, on both rafters and posts on 28', 30' & 34' models.
- ◆ 4' Rafter spacing (standard)
- ◆ Hardware for assembly and bolts for baseboards.
- ◆ Gable frame brackets are standard on all models.
- ◆ Gable end wind bracing included on all models.
- ◆ 1 Ridge, pre-drilled 4' on center, included on all models.
- ◆ 2 Purlins included on 21', 25', 28' & 30' models.
- ◆ Cross-ties and four purlins included on the 34' model.
- ◆ Can accept polyethylene or polycarbonate covering with the purchase of additional parts.





## POLARIS SERIES

New England's Premium Gutter Connected Greenhouse



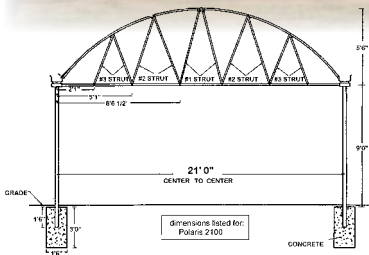
- ◆ Arched rafters
- ◆ Offered in 18', 21', 24', 27', 30' widths
- ◆ Available in 8' or 10' column and truss spacing
- ◆ Extra wide 12 gauge galvanized steel gutters
- ◆ Intermediate support rafter
- ◆ Ridge and two runs of purlins are included
- ◆ Hardware for gutter is hot dipped galvanized



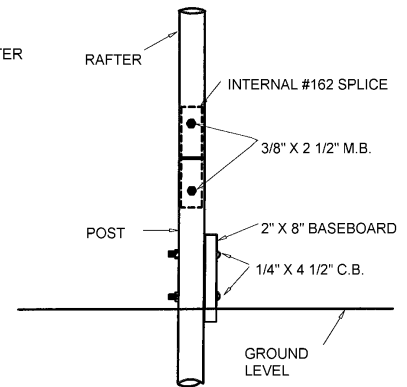
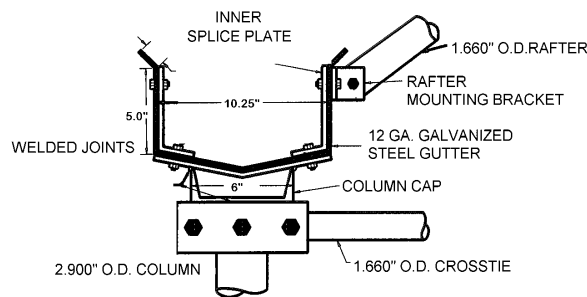
### Optional Poly Lifting Roof

Our lifting poly roof vent provides natural ventilation for the grower who doesn't want the expense of a hard cover.

The poly roof vent opens completely, with the lifting rafter pivoting just inches away from the ridge, allowing greater air exhaustion in less time.



DETAIL AT GUTTER



## CLASSIC SERIES

New England's Classic Gutter Connected Greenhouse



- ◆ Straight rafters
- ◆ Offered in 18', 21', 24', 27', and 30' widths
- ◆ Available with 8' or 10' column and truss spacing
- ◆ Extra wide 12 gauge galvanized steel gutters
- ◆ Intermediate support rafter
- ◆ Hot dipped galvanized gutter hardware
- ◆ 1 Pre-drilled ridge included on all models
- ◆ 2 Purlins included on the 18', 21' and 24' widths
- ◆ 4 Purlins included on the 27' and 30' widths



## SOLAR-STAR SERIES

### Quonset Style Greenhouses

- ◆ Offered in 17', 20', 22', & 26' widths
- ◆ 1.660" O. D. 14 gauge Galvanized Pipe, .083" wall thickness on both rafters and posts
- ◆ 4' Rafter spacing (standard).
- ◆ Hardware for assembly and bolts for baseboards are included
- ◆ Gable frame brackets are standard on all models
- ◆ 1 Ridge, pre-drilled 4' on center, included on all models
- ◆ 2 Purlins included on the 20', 22' & 26' models
- ◆ Gable end wind bracing included on the 20', 22' & 26' models



Size	Pipe O.D.	Wall Thickness	Height 1' from side	Height 2' from side	Height 3' from side	Height 4' from side	Ridge Height	Poly Width
17'	1.660"	.083"	4' 4"	5' 4"	5' 11"	6' 5"	7' 3"	28'
20'	1.660"	.083"	5' 1"	6' 4"	7' 1"	7' 9"	10' 1"	36'
22'	1.660"	.083"	4' 4"	5' 3"	6' 1"	6' 8"	9' 4"	36'
26'	1.900"	.083"	4' 10"	5' 11"	6' 9"	7' 6"	11' 2"	40'

\* All measurements are with standard posts 1' out of the ground.

## SOLAR-MATE SERIES

### Quonset Style Greenhouses

- ◆ Offered in 12', 14', 17' & 20' widths
- ◆ 12', 14' & 17' models feature 1.315" O.D x .058" Wall, 17 gauge Galvanized Pipe Rafters and 1.660" O.D. x .083" Wall, 14 gauge Galvanized Pipe Posts
- ◆ 20' wide models feature 1.660" O.D. x .065" Wall, 16 gauge Galvanized Pipe Rafters & Posts
- ◆ Standard 4' rafter spacing on all models
- ◆ Includes ridge, pre-drilled 4' on center
- ◆ All models include gable frame brackets
- ◆ 2 Purlins included on the 20' model



Size	Pipe O.D.	Wall Thickness	Height 1' from side	Height 2' from side	Height 3' from side	Height 4' from side	Ridge Height	Poly Width
12'	1.315"	.058"	4' 7"	5' 11"	6' 10"	7' 8"	8' 5"	24'
14'	1.315"	.058"	4' 3"	5' 3"	5' 11"	6' 5"	7' 2"	24'
17'	1.315"	.058"	3' 6"	4' 10"	5' 10"	6' 6"	7' 3"	28'
20'	1.660"	.065"	5' 1"	6' 4"	7' 1"	7' 9"	10' 1"	36'

\* All measurements are with standard posts 1' out of the ground.

## ALUMA-STAR HINGED DOORS



WHM #	Description	Price
<b>Single Doors - 3'6" x 6'8"</b>		
AD4280	Door Only	\$ 212.10
AD4280J	Door with jamb	\$ 379.05
AD4280JG	Door with jamb & glazing	\$ 531.30
<b>Single Doors - Custom Up to 4'0" x 8'0"</b>		
AD4896	Door Only	\$ 258.30
AD4896J	Door with jamb	\$ 405.30
AD4896JG	Door with jamb & glazing	\$ 564.90
<b>Double Doors - 7'0" x 6'8"</b>		
ADD8480J	Door with jamb	\$ 777.00
ADD8480JG	Door with jamb & glazing	\$ 1062.60
<b>Double Doors - Custom Up to 8'0" x 8'0"</b>		
ADD9696J	Door with jamb	\$ 816.90
ADD9696JG	Door with jamb & glazing	\$ 1097.25

All Aluminum Construction ♦ Available With 8mm Polycarbonate Glazing

WHM #	Description	Price
ADS4884	4' x 7' Single sliding door	\$ 624.75
ADS6084	5' x 7' Single sliding door	\$ 705.60
ADS7284	6' x 7' Single sliding door	\$ 798.00
ADDS9696	8' x 8' Double sliding door	\$ 1249.50
ADDS120120	10' x 10' Double sliding door	\$ 1561.35
ADDS144120	12' x 10' Double sliding door	\$ 1860.60

## ALUMA-STAR SLIDING DOORS

(not shown)

The Aluma-Star door is a unit complete with track, door stop, handle and all the hardware needed for hanging.



## ROLL-UP SIDES

- ♦ Provides natural ventilation ♦ Fits any manufacturers quonset house
- ♦ Hand Cranks are available, see below.

Roll-up sides are custom made, please call our Structures Department at **1-800-243-7170** for ordering information and current pricing.

WHM #	Description	Price
HCL101	Hand Crank, Left Side - 10:1 Gear Ratio	\$ 186.38
HCR101	Hand Crank, Right Side - 10:1 Gear Ratio	\$ 186.38
HCGRK	Gearbox guide rod kit	\$ 21.00
HCM	Manual handcrank	\$ 35.45
HC41	Hand Crank, L or R Side - 4:1 Gear Ratio	\$ 118.15

## SHADE STRUCTURES

- ♦ Inexpensive and easy to install
- ♦ 1.315" Galvanized steel posts
- ♦ Top supports with 1.315" cross members
- ♦ Knee braces at every intersection
- ♦ 10' Head clearance
- ♦ Posts are set 10' on center
- ♦ All hardware is included
- ♦ Shade cloth is purchased separately.



Shade structures are available in various sizes, please call our Structures Department for ordering information and pricing.

## HERCULON

Built to exacting standards, Herculon greenhouses allow total integration of heating and shading systems and can be equipped with ridge vents, poly-gutter vents or conventional forced air cooling. These features, combined with minimal light loss, certified design and quality materials, make Herculon gutter connect greenhouses an excellent long term investment.



*Available in 18', 21', 24' and 27' widths and  
Twin 18', 21' and 24' widths.*

## COLDFRAME

The 20' Coldframe is an easy to assemble, low-cost growing structure. Designed to cope with condensation run-off, shed snow and withstand harsh conditions while remaining stable, the Coldframe is an ideal choice for a wide range of locations. The position of the side purlins accomodates quick and convenient side loading and unloading of stock.

*Available in 20' width and 4' or 5' arch spacing.*



## FREESTANDING

This practical Freestanding greenhouse is being used to grow a variety of crops. All parts are pre-drilled, easy to assemble and are built with long-lasting galvanized steel components. The roof's gothic peak helps shed snow. Heat with forced air: ventilate with fans and shutters, roll-up side or with a motorized poly roof vent. It is also available with polycarbonate roof panels and ridge vents (motorized or manual).

*Freestanding available in 21' and 24' widths  
and 30' or 32' widespan.*



## BENCHES

Maximize all available greenhouse growing space by installing stationary and/or rolling benches. Easy to assemble and designed to provide many years of trouble-free service.

*Available in any width and length with your  
choice of a stationary or rolling unit.*

***F.O.B. Origin***

